

INSTALLATION INSTRUCTIONS

INSTALLER – READ ENTIRE INSTRUCTION SHEET BEFORE PROCEEDING TO INSTALL.

POOL OWNER – PLEASE KEEP THESE INSTRUCTIONS FOR FUTURE REFERENCE.

PLEASE NOTE
THESE INSTALLATION INSTRUCTIONS APPLY TO
AQUA-QUIP EVO2 LED LIGHTS FOR FIBREGLASS & VINYL POOLS ONLY.

Fibreglass and Vinyl Pools



Evo2 LED Pool Lights for Fibreglass and Vinyl Pools fit through a 4" (102mm) hole and are supplied with the Quick Connect Cable pre-fitted to the pool light. The pool light is supplied fitted inside the fibreglass/vinyl housing. The housing is factory fitted with 1 metre of cable wound up inside. Supplied with lock nut and gaskets, ready to install. Stainless Steel Trim Ring Kits are available as an optional extra.

Included in the package are the following items:



Locking Ring

Cork Gasket

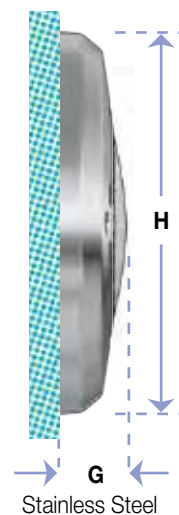
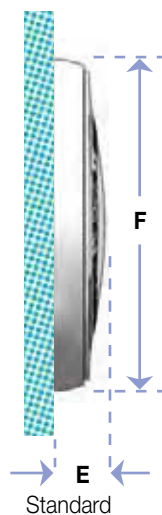
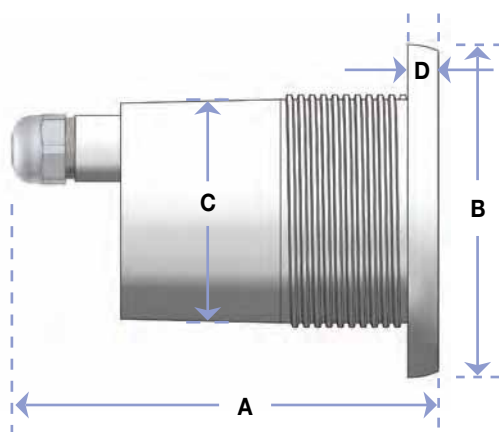
Rubber Gasket

Cable

Housing

Optional
 Stainless Steel
 Dress Ring
 (not included as
 standard)

Evo2 LED/Aqua Star Halogen Flush Mounted Pool Light – Fibreglass & Vinyl Pools



DIMENSIONS (mm)

FIBREGLASS HOUSING

A	195
B	144
C	100 max
D	13
E	23
F	144
G	25
H	167

AQUA-QUIP EVO2 LED INSTALLATION INSTRUCTIONS FOR FIBREGLASS & VINYL POOLS

- 1 Drill a 102mm (4") diameter hole in the pool wall where the light is to be located – the centre of the hole should not be more than 500mm below the top of the finished pool coping. Choose a flat surface. If pool is vinyl lined – first cut a similar hole in vinyl using knife before hole is cut through steel panel. Contact Aqua-Quip for suppliers of 102mm hole saws.
- 2 Remove any debris from around the hole cut. Feed the light cable through the hole in the pool wall, fit the pool light **Housing** into the hole, and push the white **Rubber Gasket** and **Housing** up against the pool wall. Apply a thin bead of waterproof silicone sealant between white rubber gasket and pool wall.
- 3 Behind the pool, pass the cable through the **Cork Gasket** and **Locking Ring** provided.
- 4 Fit the **Cork Gasket** over the thread on the rear of the **Housing** and push it up against the rear of pool wall.
- 5 Ensure the threads on the **Housing** and **Locking Ring** are clean of sand and debris.
- 6 Screw the **Locking Ring** onto the **Housing** and tighten it up against the **Cork Gasket** using a strap wrench or similar.
- 7 Use **Polished Stainless Steel Trim Ring** if required.
- 8 Only turn **Evo2 LED Pool Light** on when completely submerged under water.

TECHNICAL SPECIFICATIONS EVO2 LED FLUSH MOUNTED POOL LIGHTS

Nominal Supply Voltage:	12V AC 50/60 Hz
Voltage Tolerance:	+20%, -20%
Protection Rating:	IPX8 (to 2.0m depth)
Temperature Range:	-10°C ~ +40°C water temperature
Power Consumption:	White, blue and green = 8 VA
Power Consumption:	Spectrum III Multi Colour = 16 VA maximum
Lamp Life:	>50,000 hours
Light Output (typical):	White-550 lumens, blue-180 lumens, green-500 Lumens
Fault Protection:	Power-cycle "run dry" thermal cut-out. Voltage transient clamping.

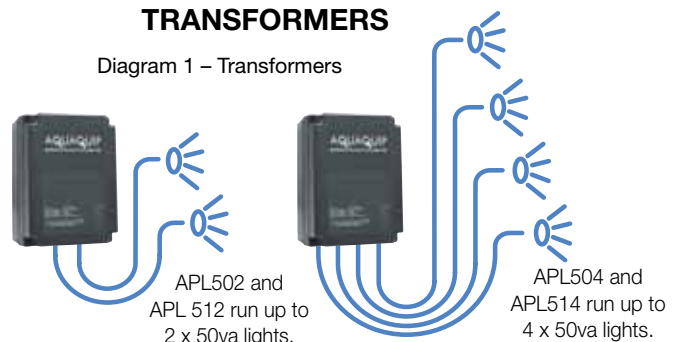
Evo2 LED Lights must only be operated underwater as they are water-cooled.

ELECTRICAL CONNECTION AND OPERATION

- Install Light(s) and Transformer(s) in accordance with AS/NZS 3000:2007 as amended.
- Aqua-Quip's extra low voltage Transformers have either 2 or 4 secondary outputs, each being 12v 50VA, refer to Diagram 1.
- Dimming of Evo2 LED Fixed Colour Lights (i.e. white, blue and green) is possible. Aqua-Quip recommends the HPM Leading Edge Dimmer Cat. 200L. Evo2 Multi-Colour LED Lights cannot be dimmed.
- If your lights are Evo2 Multi-Colour, then see included "LED Programming Instructions".

TRANSFORMERS

Diagram 1 – Transformers



WARNING

Never stare directly at LED Pool Lights.
Prolonged direct exposure can cause eye damage.



Rainbow Pool Products

PO Box 2388, Mansfield Qld 4122
 Telephone STD 61-7-3849 5385
 Facsimile STD 61-7-3849 5384
 Email: info@rainbowpoolproducts.com.au
 Web: www.rainbowpoolproducts.com.au